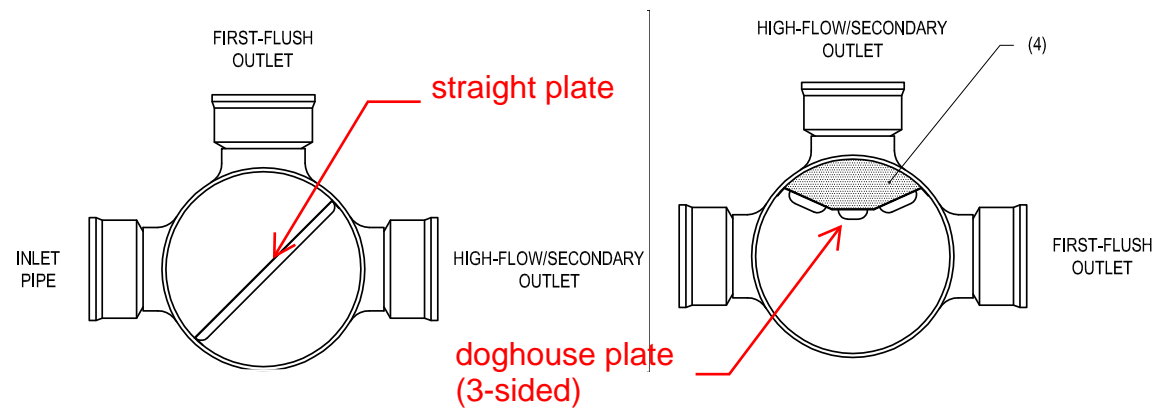
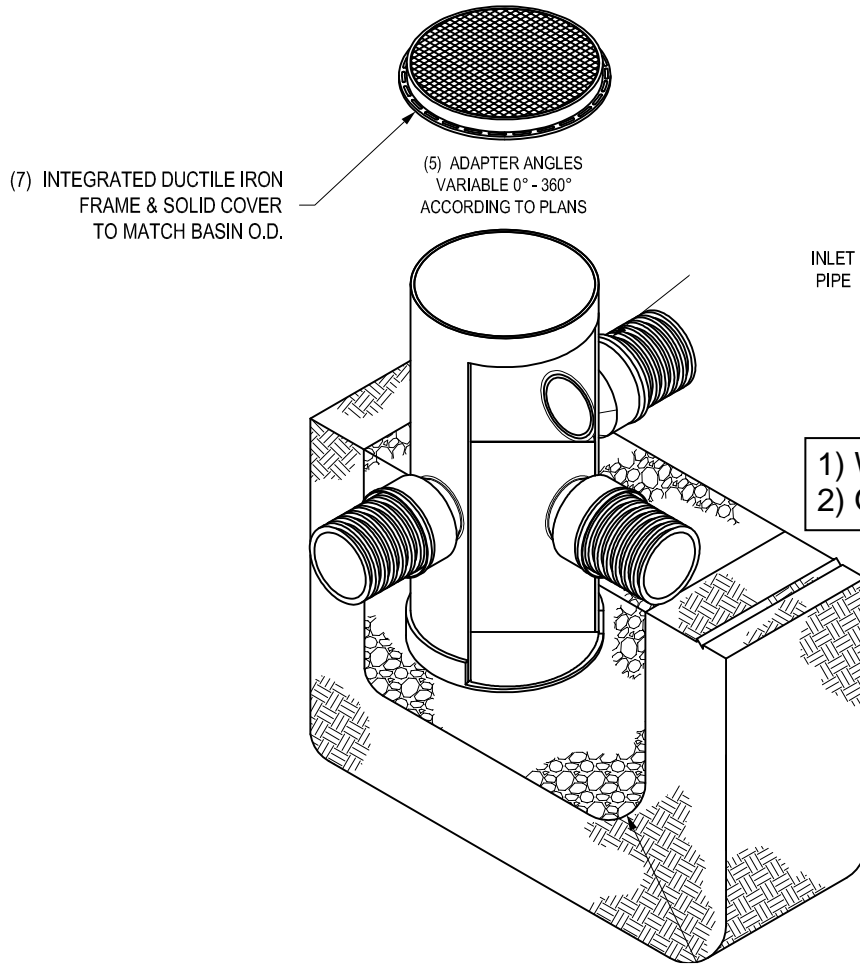
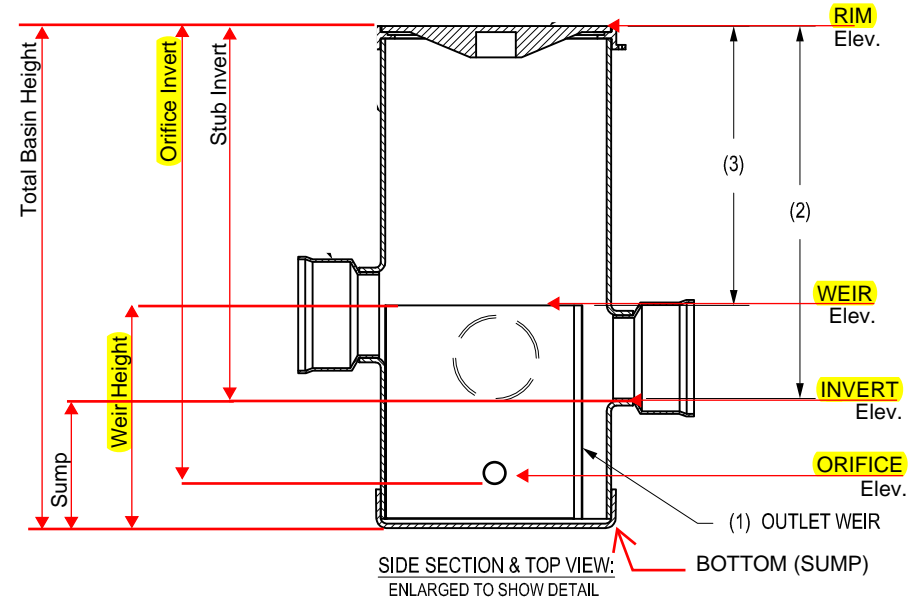


# NYLOPLAST DRAIN BASIN WITH STRAIGHT WEIR/ OR DOGHOUSE WEIR




1) Weir Height = Weir elevation - lowest basin pipe invert elevation + SUMP depth  
 2) Orifice Depth = Rim Elevation - Orifice Elevation



- 1 - WEIR AVAILABLE FOR ALL 24" - 30" STRUCTURE OPTIONS (CUSTOM BASIN, ROAD & HIGHWAY, & CURB INLET).
- 2 - DRAIN BASIN TO BE CUSTOM MANUFACTURED ACCORDING TO PLAN DETAILS. RISERS ARE NEEDED FOR BASINS OVER 84" DUE TO SHIPPING RESTRICTIONS SEE DRAWING NO. 7001-110-065.
- 3 - HEIGHT OF WEIR TO BE DETERMINED BY ENGINEER. **WEIR HEIGHT CANNOT EXCEED 84" DUE TO MANUFACTURING AND SHIPPING RESTRICTIONS.**
- 4 - WEIR MANUFACTURED TO MINIMIZE LOSS OF OUTLET PIPE OPEN AREA.
- 5 - ADAPTERS CAN BE MOUNTED ON ANY ANGLE 0° TO 360°. TO DETERMINE MINIMUM ANGLE BETWEEN ADAPTERS SEE DRAWING NO. 7001-110-012.
- 6 - DRAINAGE CONNECTION STUB JOINT TIGHTNESS SHALL CONFORM TO ASTM D3212 FOR CORRUGATED HDPE (ADS N-12/HANCOR DUAL WALL), N-12 HP, & PVC SEWER (4" - 24").
- 7 - FRAMES, GRATES, COVERS, HOODS, & BASE PLATES SHALL BE DUCTILE IRON PER ASTM A536 GRADE 70-50-05.

THIS PRINT DISCLOSES SUBJECT MATTER IN WHICH NYLOPLAST HAS PROPRIETARY RIGHTS. THE RECEIPT OR POSSESSION OF THIS PRINT DOES NOT CONFER, TRANSFER, OR LICENSE THE USE OF THE DESIGN OR TECHNICAL INFORMATION SHOWN HEREIN REPRODUCTION OF THIS PRINT OR ANY INFORMATION CONTAINED HEREIN, OR MANUFACTURE OF ANY ARTICLE HEREFROM, FOR THE DISCLOSURE TO OTHERS IS FORBIDDEN, EXCEPT BY SPECIFIC WRITTEN PERMISSION FROM NYLOPLAST.

DRAWN BY	NMH	MATERIAL	
DATE	9-19-16		
APPD BY	NMH	PROJECT NO./NAME	
DATE	9-19-16		
DWG SIZE	A	SCALE	1:40 SHEET 1 OF 1



**Nyloplast**

3130 VERONA AVE  
 BUFORD, GA 30518  
 PHN (770) 932-2443  
 FAX (770) 932-2490  
 www.nyloplast-us.com

TITLE	<b>DRAIN BASIN WITH STRAIGHT WEIR QUICK SPEC INSTALLATION DETAIL</b>		
DWG NO.	7004-110-134	REV	A